



CREATIVE

PIPING SOLUTIONS

BACKING RING, PLATE FLANGES SPECIFICATIONS



Creative Piping Solutions are Manufacturer, Supplier, and Exporter of Superior Quality of Backing Ring Flange standards in AS 2129, AS 4087, ANSI 150 B16.5, ISO 7005, ASME B16.5 Flange / ANSI B16.5 Flange | ASME B16.47 Flange / ANSI B16.47 Flange. CPS is a Manufacturer backing ring flange that meets with national and international quality standards and producing base which owns equipment conforming to the international technical level and is well equipped with an entire set of advanced plasma refining equipment. With the standard, we also guarantee On-Time Delivery of ASME B16.5/B16.47 Backing Ring Flanges.

TECHNICAL DATA

Standards:	AS/NZS 4129 PE Fittings – Flanged
Size Range:	DN 20 – DN 1200
Materials:	Stub End; Carbon Steel, Stainless Steel, Alloys Stee, Hastelloy, Nickel, Titanium etc. Backing Rings – AS/NZS 4331.1 Metallic Flanges (ISO 7005-1) Carbon Steel, Stainless Steel, Alloys Stee, Hastelloy, Nickel, Titanium etc.
Pressure Range:	PE100 PN 16, PN 10, PN 20, PN 25, 150# 300#, 600# 900#
Spigot Options:	Short Spigot – Suitable for butt welding only Long Spigot – Suitable for butt welding and electrofusion welding
Flange Drillings:	AS 2129, AS 4087, ANSI 150 B16.5, ISO 7005
Backing Rings:	Refer to PIPA Guideline POP007 Metal Backing Flanges for PE, for backing ring details and flange joint installation

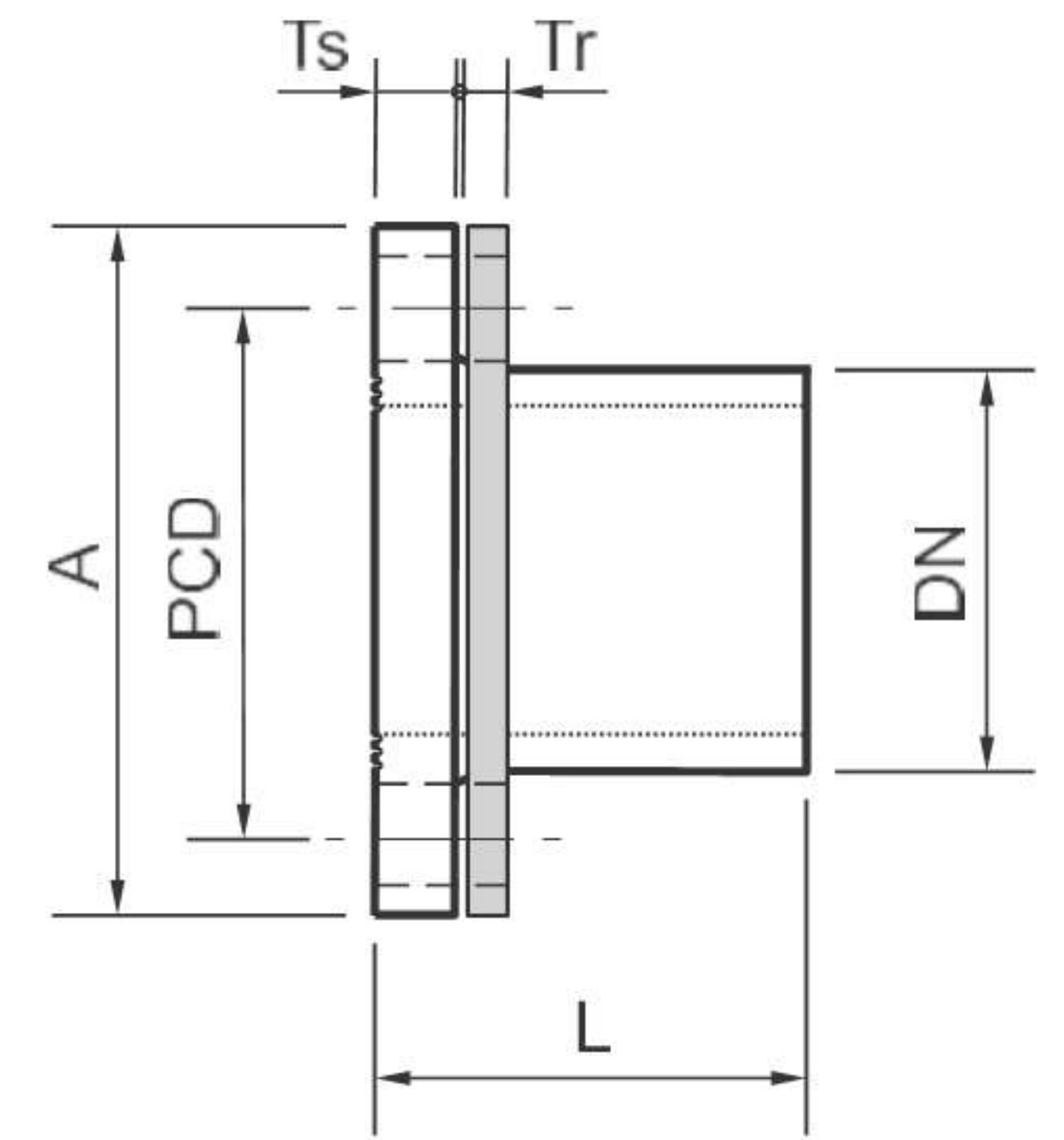
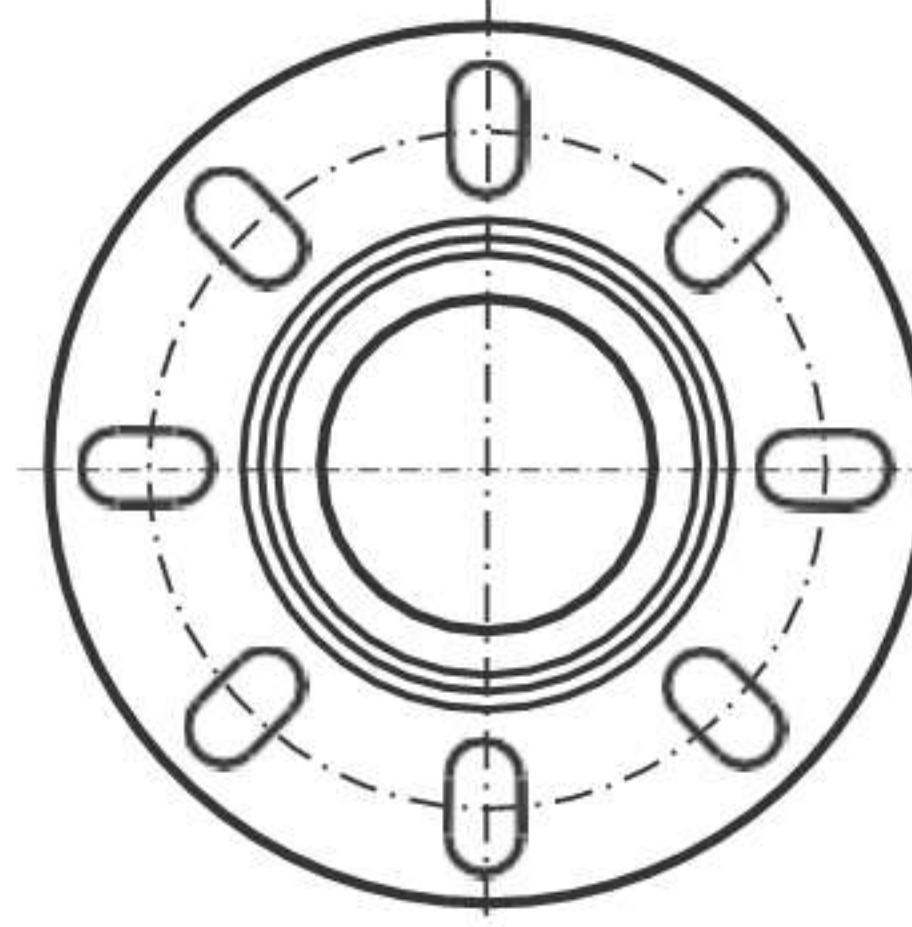


FULL FACE STUB FLANGES WITH SS BACKING RINGS – TABLE D

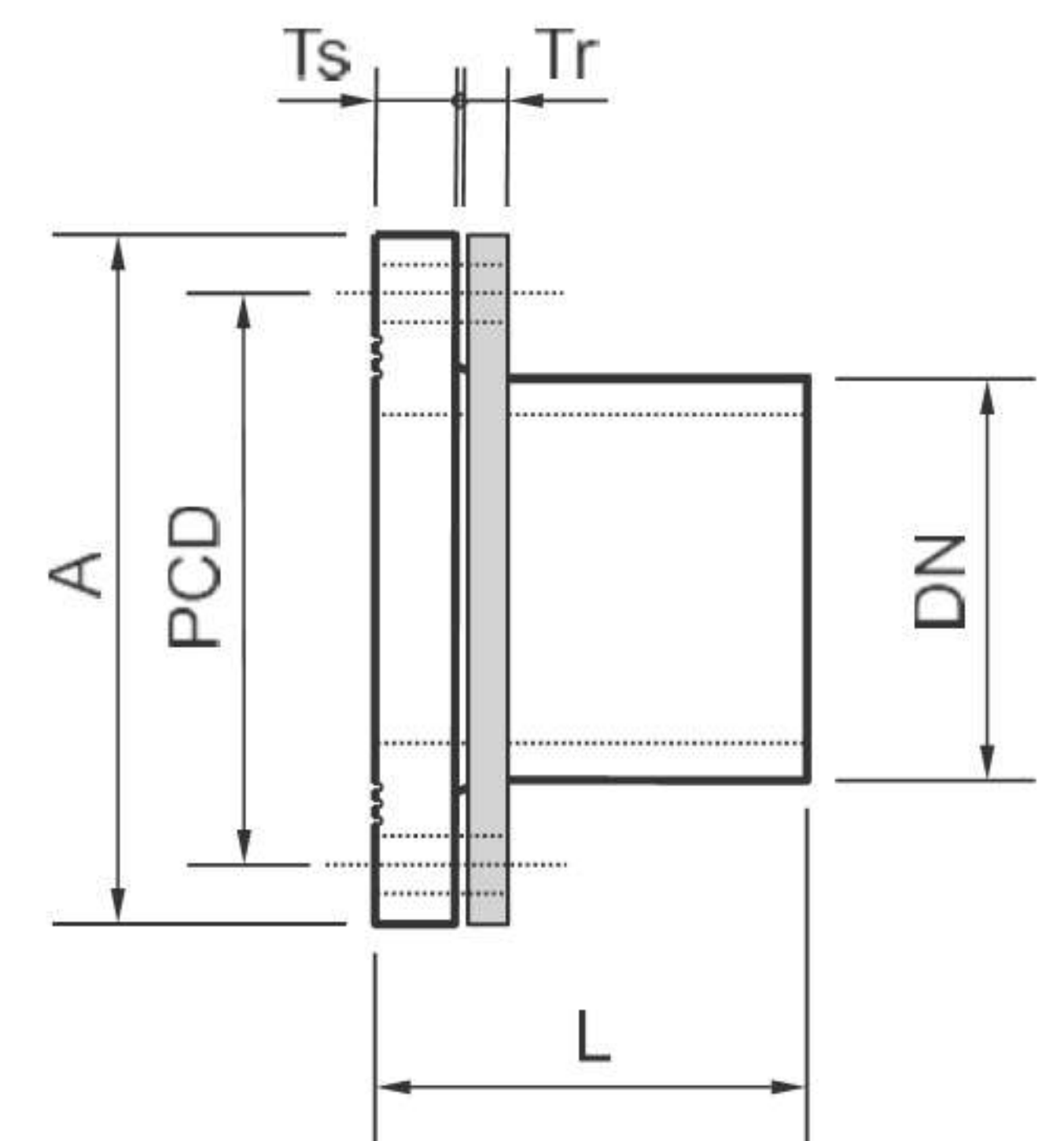
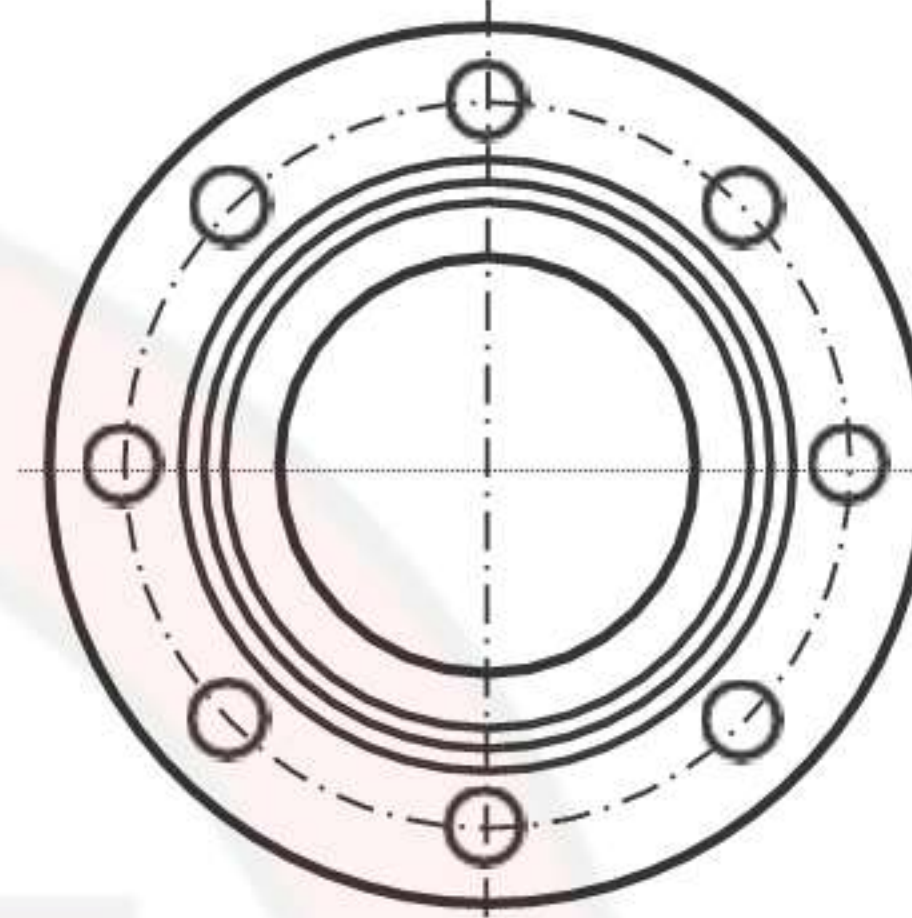
Drilling - AS4087 PN16, AS2129 Table D



Slotted FF Stub Flange



Standard FF Stub Flange



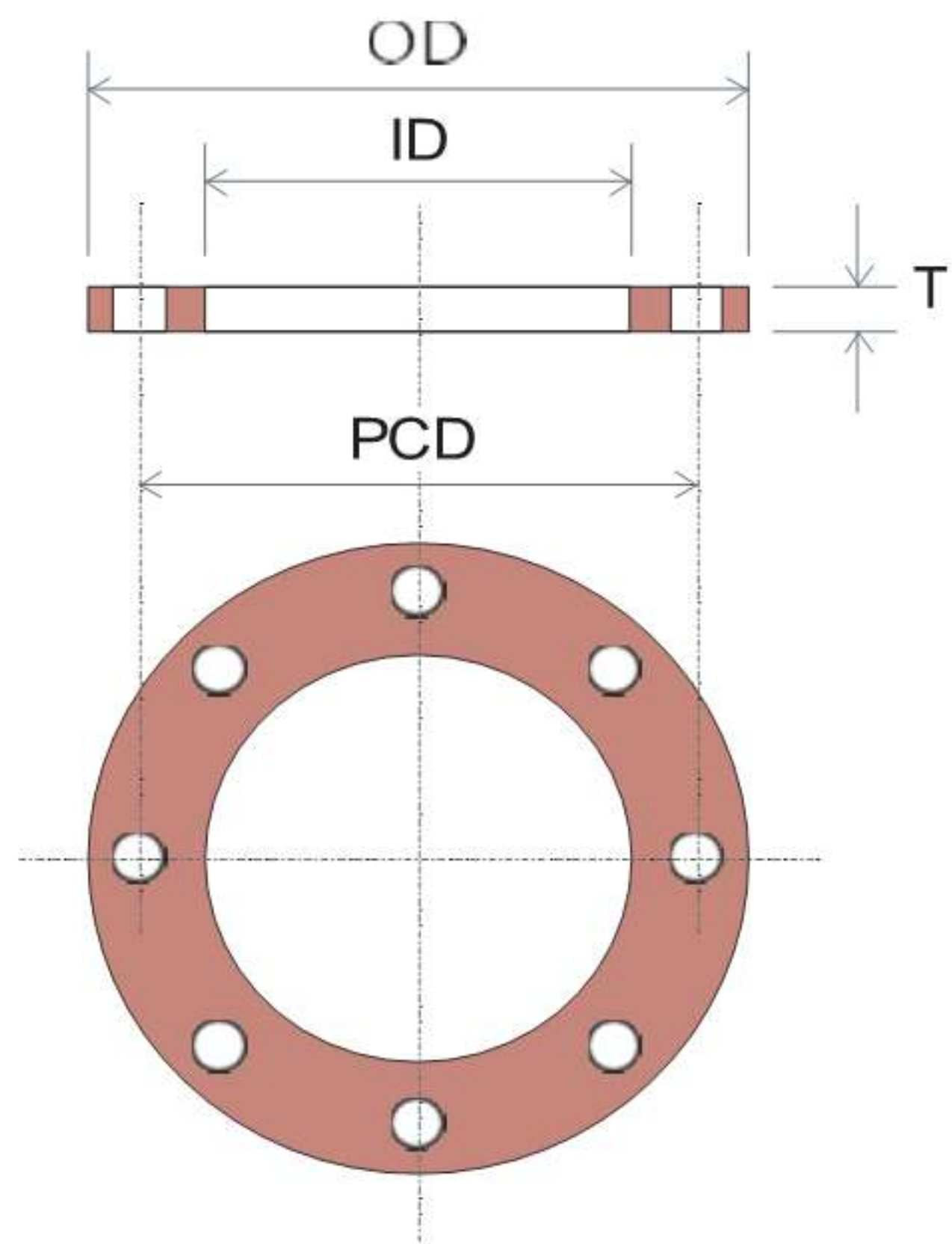
FULL FACE STUB FLANGE with 316 SS BACKING RING

Pipe DN	Drilling	A	PCD	L	Ts	Tr	No Holes	Bolt Size	Product code
90	Slotted 80-100 T/D	230	146-178	118	20	10	4	M16	CPS9711
90	80 T/D	180	146	112	20	11	4	M16	CPS9712
110	100 T/D	215	178	127	20	13	4	M16	CPS9713
125	100 T/D	215	178	134	20	13	4	M16	CPS9714
160	150 T/D	280	235	183	25	13	8	M16	CPS9715
180	150 T/D	280	235	137	25	13	8	M16	CPS9716
200	150 T/D	280	235	200	30	13	8	M16	CPS9717
250	200 T/D	335	292	197	35	19	8	M16	CPS9718
250	225 T/D	370	324	215	35	19	8	M16	CPS9719
280	225 T/D	370	324	215	35	19	8	M16	CPS9720
280	250 T/D	405	356	230	40	19	8	M20	CPS9721
315	250 T/D	405	356	230	40	19	8	M20	CPS9722
355	300 T/D	455	406	241	45	23	12	M20	CPS9723
400	375 T/D	557	495	264	50	30	12	M24	CPS9724
450	375 T/D	580	495	285	55	30	12	M24	CPS9725
450	400 T/D	580	521	285	55	30	12	M24	CPS9726
500	450 T/D	705	584	354	60	30	12	M24	CPS9727
560	500 T/D	735	641	430	65	38	16	M24	CPS9728
630	600 T/D	815	756	430	80	44	16	M27	CPS9729

Special Request/Options:

Other stub sizes and flange drillings can be machined to order.

Optional Galvanised backing rings can be machined to suit stub flange



BACKING RINGS – TABLE D

Drilling – AS4087 PN16, AS2129 Table D



BACKING RINGS – TABLE D (STAINLESS STEEL AND GALVANISED STEEL)

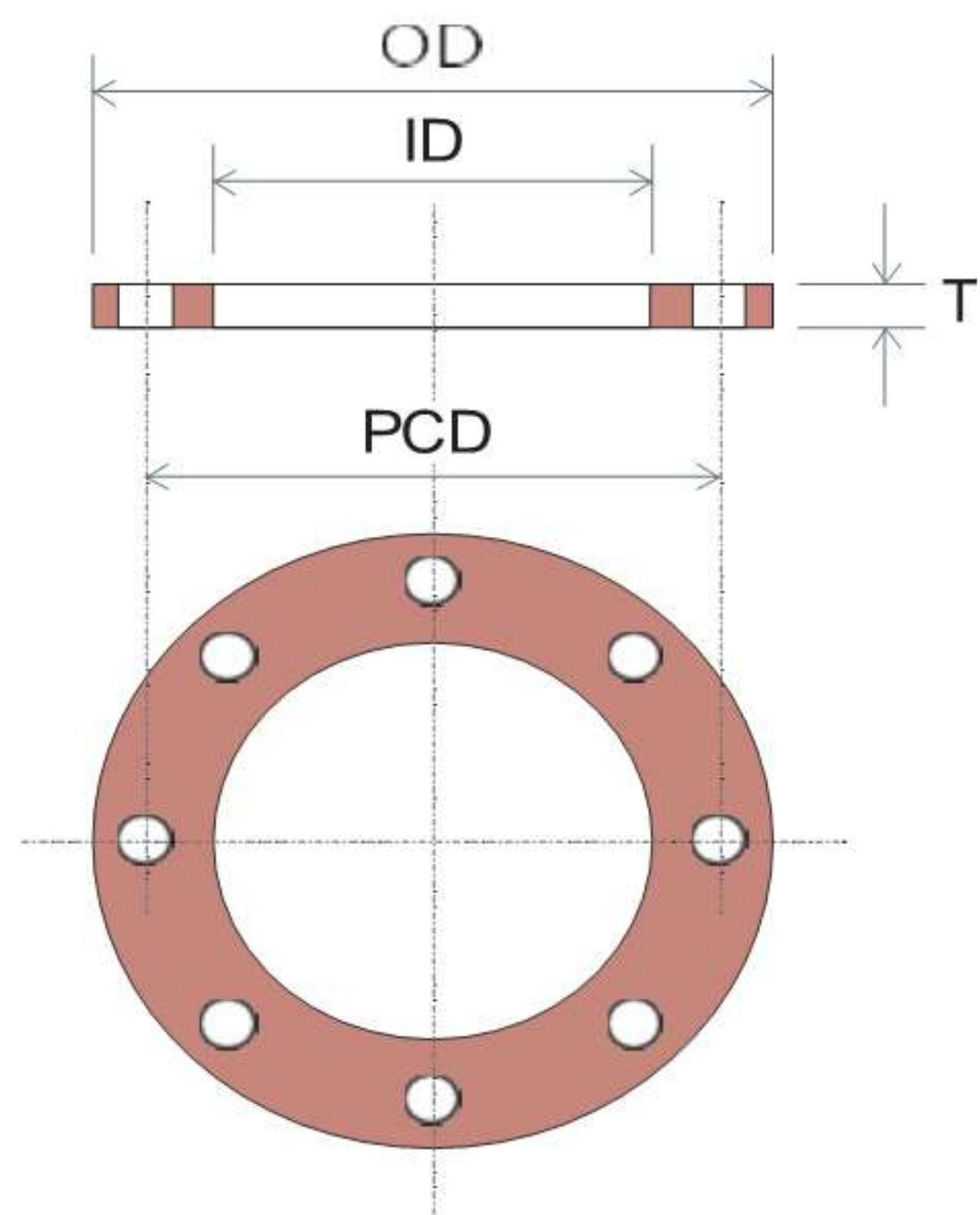
Pipe OD	Drilling	OD	PCD	ID	No Holes	Hole Dia	Bolt Size	Thickness (T)		316SS Ring	Galv Ring
								316SS	Galv		
20	15 T/D	95	67	32	4	14	M12	6	6	CPS8745	CPS9741
25	20 T/D	100	73	37	4	14	M12	6	6	CPS8746	CPS9742
32	25 T/D	115	83	44	4	14	M12	7	7	CPS8747	CPS9743
40	32 T/D	120	87	52	4	14	M12	8	8	CPS8748	CPS9744
50	40 T/D	135	98	62	4	14	M12	9	9	CPS8749	CPS9745
63	50 T/D	150	114	78	4	18	M16	10	10	CPS8750	CPS9746
75	65 T/D	165	127	92	4	18	M16	10	10	CPS8751	CPS9747
90	80 T/D	185	146	108	4	18	M16	11	11	CPS8752	CPS9748
110	100 T/D	215	178	128	4	18	M16	10	10	CPS8753	CPS9749
125	100 T/D	215	178	140	4	18	M16	10	10	CPS8754	CPS9750
125	125 T/D	255	210	140	8	18	M16	13	13	CPS8755	CPS9751
140	125 T/D	255	210	158	8	18	M16	13	13	CPS8756	CPS9752
160	150 T/D	280	235	178	8	18	M16	13	13	CPS8757	CPS9753
180	150 T/D	280	235	195	8	18	M16	13	13	CPS8758	CPS9754
200	200 T/D	335	292	235	8	18	M16	13	13	CPS8759	CPS9755
225	200 T/D	335	292	240	8	18	M16	13	13	CPS8760	CPS9756
250	250 T/D	405	356	290	8	22	M20	16	16	CPS8761	CPS9757
280	250 T/D	405	356	300	8	22	M20	16	16	CPS8762	CPS9758
315	300 T/D	455	406	345	12	22	M20	19	19	CPS8763	CPS9759
355	350 T/D	525	470	376	12	26	M24	22	22	CPS8764	CPS9760
400	400 T/D	580	521	430	12	26	M24	22	22	CPS8765	CPS9761
450	450 T/D	640	584	480	12	26	M24	25	25	CPS8766	CPS9762
500	500 T/D	705	641	533	16	26	M24	29	29	CPS8767	CPS9763
560	550 T/D	760	699	590	16	30	M27	29	29	CPS8768	CPS9764
630	600 T/D	825	756	660	16	30	M27	32	32	CPS8769	CPS9765
710	700 T/D	910	845	745	20	30	M27	35	35	CPS8770	CPS9766
800	800 T/D	1060	984	835	20	36	M33	41	41	CPS8771	CPS9767



BLANK FLANGES

Available in Stainless Steel, Galvanised Steel and Carbon Steel

Contact on Info@creativepiping.com and visit www.creativepiping.com for more details



BACKING RINGS – TABLE E

Drilling – AS2129 Table E



BACKING RINGS – TABLE E (STAINLESS STEEL AND GALVANISED STEEL)

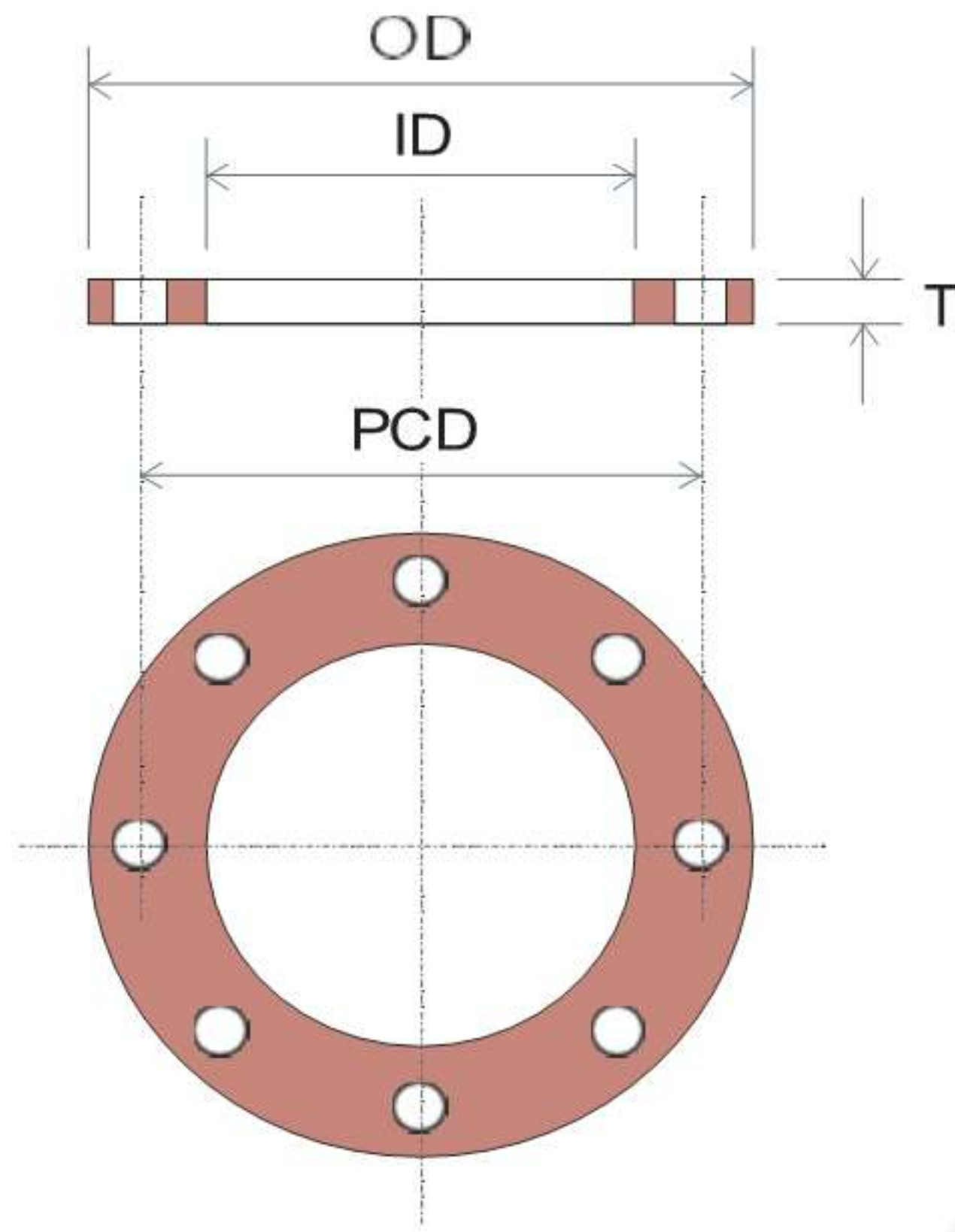
Pipe OD	Drilling	OD	PCD	ID	No Holes	Hole Dia	Bolt Size	Thickness (T)		316SS Ring	Galv Ring
								316SS	Galv		
20	15 T/E	95	67	32	4	14	M12	6	6	CPS8741	CPS6591
25	20 T/E	100	73	37	4	14	M12	6	6	CPS8742	CPS6592
32	25 T/E	115	83	44	4	14	M12	7	7	CPS8743	CPS6593
40	32 T/E	120	87	52	4	14	M12	8	8	CPS8744	CPS6594
50	40 T/E	135	98	62	4	14	M12	9	9	CPS8745	CPS6595
63	50 T/E	150	114	78	4	18	M16	10	10	CPS8746	CPS6596
75	65 T/E	165	127	92	4	18	M16	10	10	CPS8747	CPS6597
90	80 T/E	185	146	108	4	18	M16	11	11	CPS8748	CPS6598
110	100 T/E	215	178	128	8	18	M16	13	13	CPS8749	CPS6599
125	100 T/E	215	178	140	8	18	M16	13	13	CPS8750	CPS65100
125	125 T/E	255	210	140	8	18	M16	14	14	CPS8751	CPS65101
140	125 T/E	255	210	158	8	18	M16	14	14	CPS8752	CPS65102
160	150 T/E	280	235	178	8	22	M20	17	17	CPS8753	CPS65103
180	150 T/E	280	235	195	8	22	M20	17	17	CPS8754	CPS65104
200	200 T/E	335	292	235	8	22	M20	19	19	CPS8756	CPS65105
225	200 T/E	335	292	240	8	22	M20	19	19	CPS8757	CPS65106
250	250 T/E	405	356	290	12	22	M20	22	22	CPS8758	CPS65107
280	250 T/E	405	356	300	12	22	M20	22	22	CPS8759	CPS65108
315	300 T/E	455	406	345	12	26	M24	25	25	CPS860	CPS65109
355	350 T/E	525	470	376	12	26	M24	29	29	CPS8761	CPS65110
400	400 T/E	580	521	430	12	26	M24	32	32	CPS8762	CPS65111
450	450 T/E	640	584	480	16	26	M24	35	35	CPS8763	CPS65112
500	500 T/E	705	641	533	16	26	M24	38	38	CPS8764	CPS65113
560	550 T/E	760	699	590	16	30	M27	44	44	CPS8765	CPS65114
630	600 T/E	825	756	660	16	33	M30	48	48	CPS8766	CPS65115
710	700 T/E	910	845	745	20	33	M30	51	51	CPS8767	CPS65116
800	800 T/E	1060	984	835	20	36	M33	54	54	CPS8768	CPS65117



BLANK FLANGES

Available in Stainless Steel, Galvanised Steel and Carbon Steel

Contact on Info@creativepiping.com and visit www.creativepiping.com for more details



BACKING RINGS – ANSI 150

Drilling – ANSI 150 B16.5 – 150lb



BACKING RINGS – ANSI 150 (STAINLESS STEEL AND GALVANISED STEEL)

Pipe OD	Drilling	OD	PCD	ID	No Holes	Hole Dia	Bolt Size	Thickness (T)		316SS Ring	Galv Ring
								316SS	Galv		
20	15 A150	90	60.5	32	4	16	1/2"	6	6	CPS87451	CPS9780
25	20 A150	98	70	37	4	16	1/2"	6	6	CPS87452	CPS9781
32	25 A150	108	79.5	44	4	16	1/2"	7	7	CPS87453	CPS9782
40	32 A150	117	89	52	4	16	1/2"	8	8	CPS87454	CPS9783
50	40 A150	127	98.5	62	4	16	1/2"	9	9	CPS87455	CPS9784
63	50 A150	152	120.5	78	4	20	5/8"	10	10	CPS87456	CPS9785
75	65 A150	178	139.5	92	4	20	5/8"	10	10	CPS87457	CPS9786
90	80 A150	191	152	108	4	20	5/8"	11	11	CPS87458	CPS9787
110	100 A150	229	190.5	128	8	20	5/8"	13	13	CPS87459	CPS9788
125	125 A150	254	216	140	8	23	3/4"	13	13	CPS87460	CPS9789
140	125 A150	254	216	158	8	23	3/4"	14	14	CPS87461	CPS9790
160	150 A150	279	241	178	8	23	3/4"	17	17	CPS87462	CPS9791
180	150 A150	279	241	195	8	23	3/4"	17	17	CPS87463	CPS9792
200	200 A150	343	298.5	235	8	23	3/4"	19	19	CPS87464	CPS9793
225	200 A150	343	298.5	240	8	23	3/4"	19	19	CPS87465	CPS9794
250	250 A150	406	362	290	12	26	7/8"	22	22	CPS87466	CPS9795
280	250 A150	406	362	300	12	26	7/8"	22	22	CPS87467	CPS9796
315	300 A150	483	432	345	12	26	7/8"	25	25	CPS87468	CPS9797
355	350 A150	535	476	376	12	29	1"	29	29	CPS87469	CPS9798
400	400 A150	600	540	430	16	29	1"	32	32	CPS87470	CPS9799
450	450 A150	635	578	480	16	32	1 1/8"	35	35	CPS87471	CPS97100
500	500 A150	700	635	533	20	32	1 1/8"	38	38	CPS87472	CPS97101
560	550 A150	750	692	590	20	35	1 1/4"	44	44	CPS87473	CPS97102
630	600 A150	813	749	660	20	35	1 1/4"	48	48	CPS87474	CPS97103



BLANK FLANGES

Available in Stainless Steel, Galvanised Steel and Carbon Steel

Contact on Info@creativepiping.com and visit www.creativepiping.com for more details

CREATIVE PIPING SOLUTIONS

INNOVATING PIPING INDUSTRY
 25/33 ARDESHIRDADY STREET,
 MUMBAI-400004, INDIA



Web:

www.creativepiping.com



Telephone:

+918591195895



Mail:

Info@creativepiping.com